



Undermount Model

Double Bowl Sink

RCFU3119L/R, RCFU53119LU/RU and RCFU203119L/R

Specifications

FEATURES:

- 18 (1.2mm) gauge nickel-bearing stainless steel
- 8" (203mm) deep
- Soft Satin finish
- 3-1/2" (89mm) drain opening
- Sound dampening pad with full spray undercoating
- Suffix L (left) or R (right) denotes location of the small bowl
- Minimum cabinet size: 36" (914mm)

Sink complies with ASME A112.19.3/ CSA B45.4

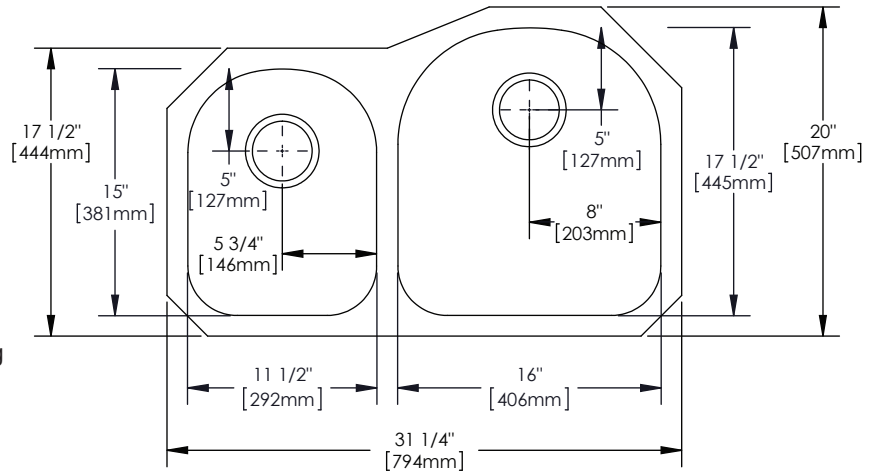
 Sinks are listed by IAPMO® as meeting the applicable requirements of the Uniform Plumbing Code®, International Plumbing Code®, and National Plumbing Code of Canada.

RCFU53119L/RCFU53119R sink is nested 5 units in a UPS certified shipping box and must be ordered in multiples of 5.

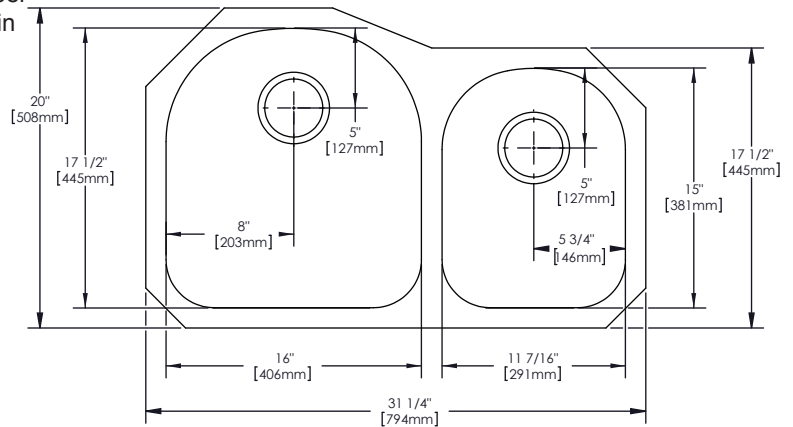
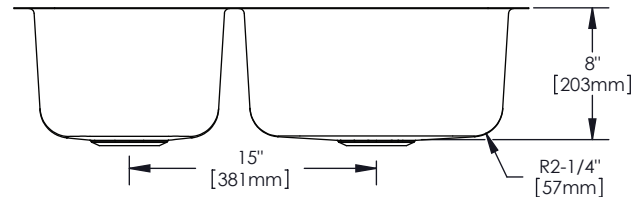
RCFU203119L/RCFU203119R sink is nested 20 units per shipping container (four 5 packs) and must be ordered in multiples of 20.

OPTIONAL ACCESSORIES:

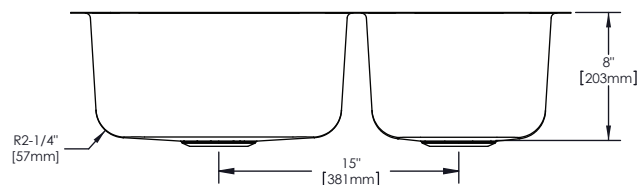
- Bottom Grid: GOBG1617SS (large bowl), GOBG1115SS (small bowl)
- Drain: S1
- Mounting Clip: RVUCLIP8 (2 packages required)
- Template: 1000001514 (for L models)
1000001515 (for R models)



RCFU3119L/RCFU53119L/RCFU203119L Illustrated



RCFU3119R/RCFU53119R/RCFU203119R Illustrated



NOTE: THIS UNDERMOUNT SINK IS DESIGNED TO MOUNT TO SOLID SURFACE (NON-LAMINATE) COUNTERTOP ONLY.



In keeping with our policy of continuing product improvement, Revere reserves the right to change product specifications without notice. Please visit Reveresinks.com for the most current version of Revere product specification sheets.

This specification describes a Revere product with design, quality, and functional benefits to the user. When making a comparison of other producers' offerings, be certain these features are not overlooked.

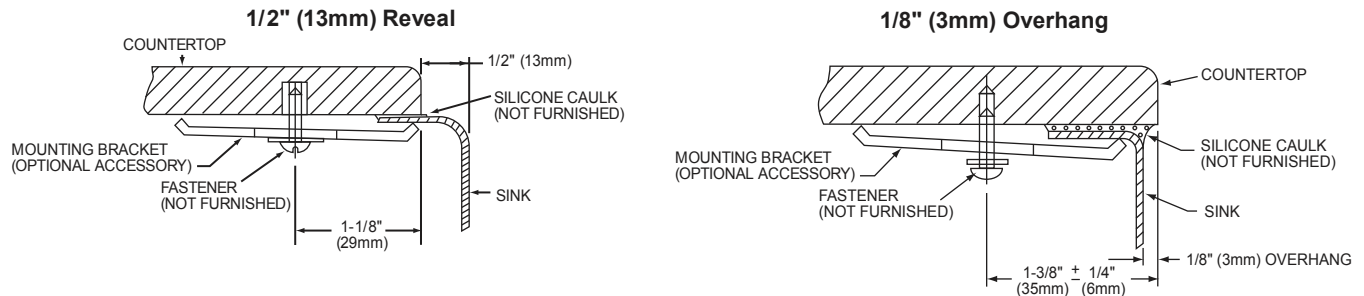


Undermount Model

Double Bowl Sink

RCFU3119L/R, RCFU53119LU/RU and RCFU203119L/R

Electronic Dual Template Mounting Option (Download DXF File from www.reveresink.com)



Packages

SINK PACKAGE:

RCFU3119LDF includes: (1) Sink - RCFU3119L, (1) Faucet - LK1501CR, and (2) Drains.

RCFU313119RDF includes: (1) Sink - RCFU313119R, (1) Faucet - LK1501CR, and (2) Drains.

RCFU313119LDFBG includes: (1) Sink - RCFU313119L, (1) Faucet - LK5000CR, (1) Bottom Grid - GOBG1617SS, and (2) Drains.

RCFU313119RDFBG includes: (1) Sink - RCFU313119R, (1) Faucet - LK5000CR, (1) Bottom Grid - GOBG1617SS, and (2) Drains.

FAUCET FEATURES:

LK1501CR

- Chrome finished, single-lever kitchen faucet with side spray.
- Flexible supply tubes with 1/2" (13mm) male IPS adapters.
- Two 1 3/8" diameter faucet holes required.

LK5000CR

- Chrome finished, single-lever kitchen faucet with pull-down spray.
- Braided stainless steel supply lines.
- Three 1 3/8" diameter faucet holes required.

Max counter thickness: 2.5" (63mm).

Faucets comply with: ADA, ANSI/NSF61, ASME A112.18.1/CSA B125.1, cUPC, CA AB1953

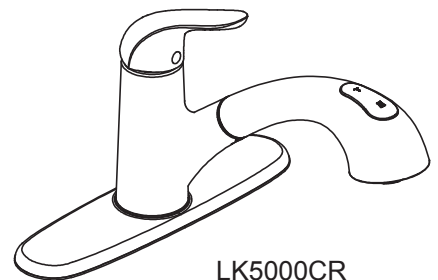
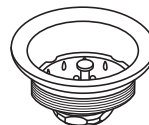
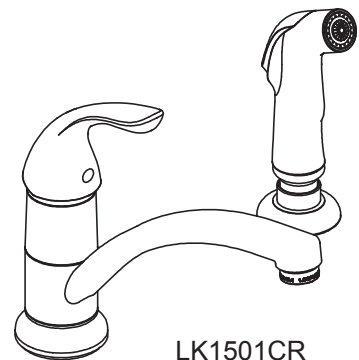
Faucet flow rate: 1.5 GPM/5.7 L/min at 60 P.S.I.G.

BOTTOM GRID FEATURES:

- Nickel-bearing stainless steel
- Bright finish
- Dishwasher safe

DRAIN FEATURES:

- Stainless steel body and strainer.
- Fits 3-1/2" (89mm) opening.



In keeping with our policy of continuing product improvement, Revere reserves the right to change product specifications without notice. Please visit Reveresinks.com for the most current version of Revere product specification sheets.

This specification describes a Revere product with design, quality, and functional benefits to the user. When making a comparison of other producers' offerings, be certain these features are not overlooked.